



PRODUCTSHEET

MAROCCAN PLATTA

PLATTAS

Plattas, a Mediterranean tile that is still produced in an authentic way. Tablets are made from clay in various shapes. Usually square and rectangular. They are left to dry in the sun until they are hard. Because of this drying process, the tile is slightly deformed and gets its undeniable shape. After drying, the tiles are decorated with a colored glaze layer and are baked in wood and/or olive kernel ovens. The irregular edges, the hand shape, the slight differences in thickness and color give these tiles their own character. They can be used for both walls and floors, preferably with a minimal joint and ideal for kitchens and bathrooms. The name Plattas comes from the production method. Large "slabs" of flat-rolled clay are at the base of these tiles. It is said that Sweden, which traded for centuries with the Portuguese and Arabs, gave the tiles its name. We sell Plattas from our own production, made in the Mediterranean countries according to an old recipe.

TECHNICAL SPECIFICATIONS

- Sundried clay tablets covered with an organic pigment (enamel). Baked in an olive kernel heated oven. A traditional Moroccan production process, completely handmade.
- Plattas have vivid color shades and each box may contain different nuances. Before placing the tiles we recommend to mix the boxes and make a balanced color selection
- Plattas in our showroom or on our website may differ from the actual color compared to new batches and/or orders.
- Plattas may contain small chips or deformations. Please calculate 5% cutting loss.
- Plattas are certified with a GS-1 slip control certificate.
- Plattas can be placed with or without joint. In case with joint; use max 2 mm. When placing without joint always use grout so liquids and moisture can not harm the tiles

APPLICATION

Decoration on wall and floor, heat resistant (stove/fireplace/heater), resistant to moisture (bathroom, shower, kitchen). Not suitable against frost! The enamel can flatten and wear on heavy loaded floor parts.

SURFACE

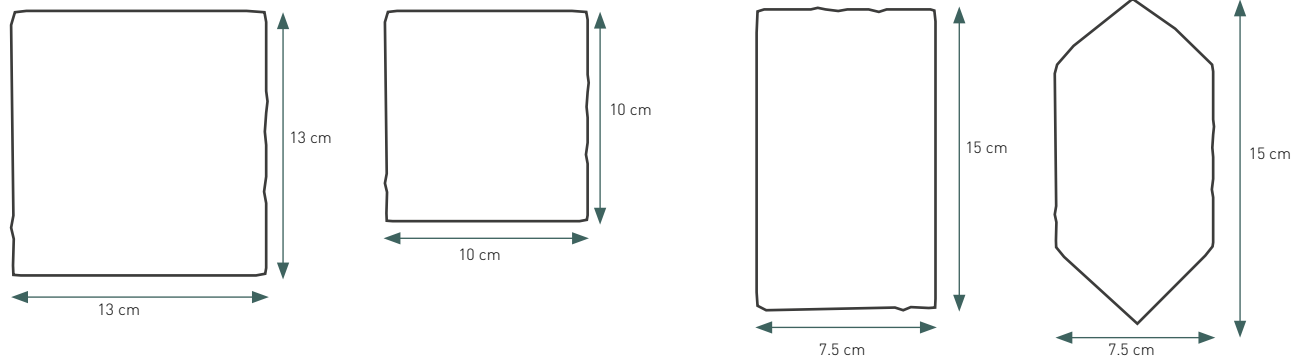
The Platta is handmade. That is why the tile can contain irregularities, this is inherent to the production method. The height and length can differ per batch as well. Because it is a handmade product, deviations up to 1 cm can be considered as normal. This gives walls and floors covered by Plattas a vivid character.

COLORS

The Platta is available in the same colors as the Zellige. The most sold colours are standard in our collection and in stock. If you are looking for a specific colour, we can always produce it in our factory in Morocco. Contact our customer service for the possibilities and delivery time.

DIMENSIONS

At this moment the Platta is available in 5 different sizes.
Formats now available:



Custom tiles available on request - © Designtegels.nl 2022

